

www.ersatzteil-service.de

www.ersatzteilplan.de

IBEA

Serie: dal n. 891001

Stampato n. P5090022

LISTA RICAMBI

SPARE PART LIST

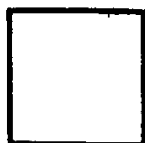
ERSATZTEILLISTE

LISTE DES PIECES DE RECHANGE



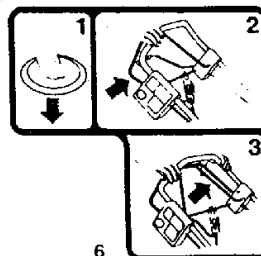
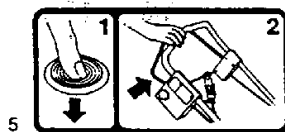
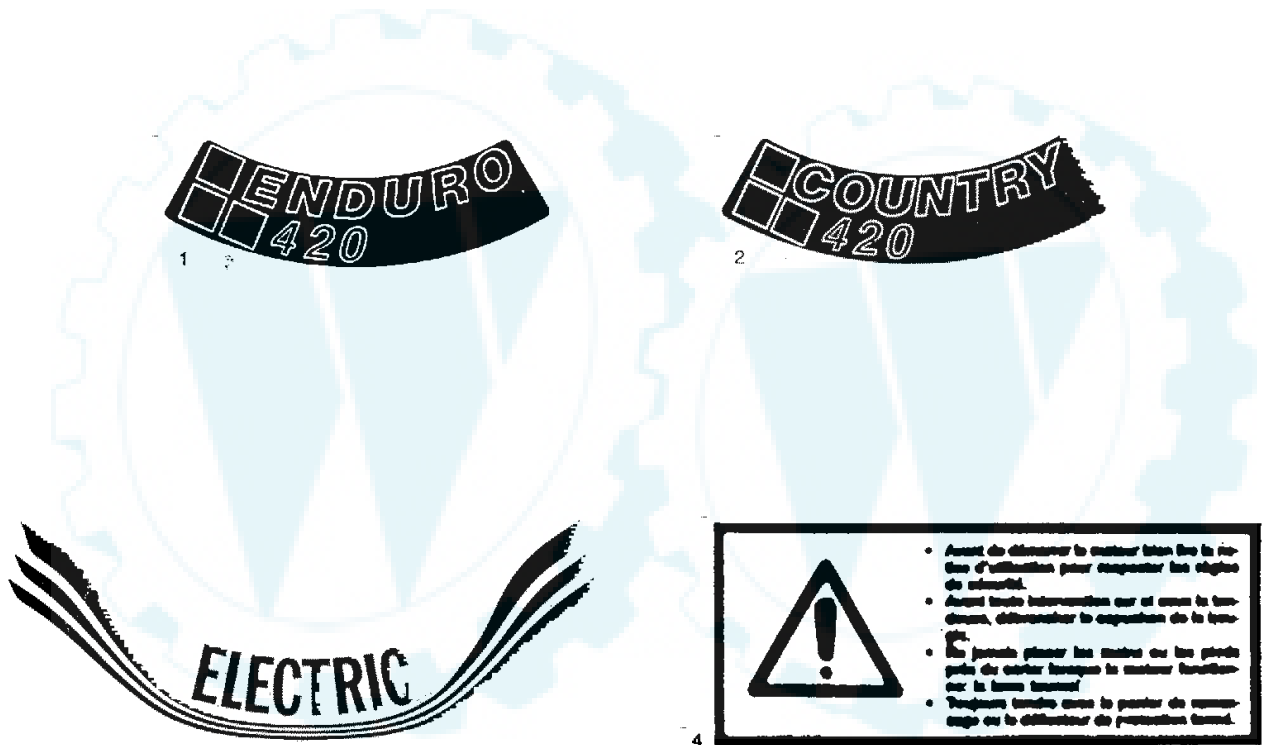
TOSAERBA
SERIE 420 elettrico

mod. **ENDURO**
mod. **COUNTRY**



Ihr Ersatzteilspezialist im Internet

Ref. N°	Part. N°	Qty.	Descrizione	Description	Description	Beschreibung
1	P5140438	1	DECALCO	LABEL	MARQUAGE	AUFKLEBER
2	P5140458	1	DECALCO	LABEL	MARQUAGE	AUFKLEBER
3	P5140514	1	DECALCO	LABEL	MARQUAGE	AUFKLEBER
4	P5140517	1	DECALCO	LABEL	MARQUAGE	AUFKLEBER
5	P5140518	1	DECALCO	LABEL	MARQUAGE	AUFKLEBER
6	P5140519	1	DECALCO	LABEL	MARQUAGE	AUFKLEBER
*	P5090017	1	MANUALE ISTRUZIONI	OPERATOR MANUAL	MODE D'EMPLOI	BEDIENUNGSANLEITUNG
*	P5110007	1	CHIAVE	KEY	CLEF	SCHLÜSSEL

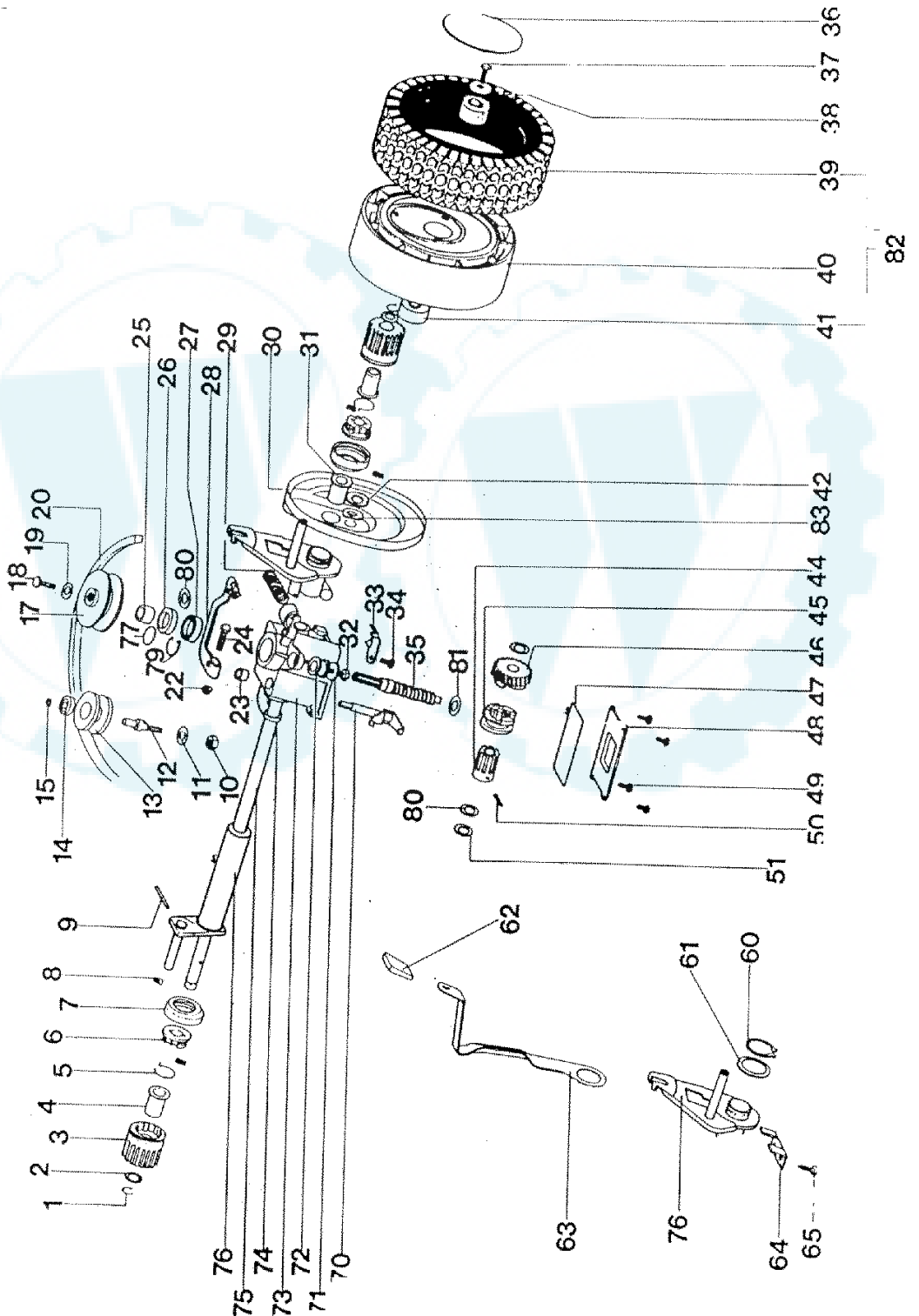


Ref. N°	Part. N°	Qty.	Descrizione	Description	Description	Beschreibung
1	P01011066	1	TELAIO	FRAME	CADRE	GESTELL
2	P00012066	1	SACCO	GRASSBAG	SAC	SACK
3	P00022257	1	TETTuccio	COVER	COUVERCLE	ABDECKUNG
4	P1010072	4	VITE	SCREW	VIS	SCHRAUBE
5	P00022157	1	CAPPELOTTO	COVER	COUVERCLE	ABDECKUNG
6	P5120032	1	MOTORE 1100 W	MOTOR 1100 W	MOTEUR 1100 W	MOTOR 1100 W
6	P5120034	1	MOTORE 1300 W	MOTOR 1300 W	MOTEUR 1300 W	MOTOR 1300 W
6	P5120033	1	MOTORE 1500 W	MOTOR 1500 W	MOTEUR 1500 W	MOTOR 1500 W
7	P1010105	2	VITE	SCREW	VIS	SCHRAUBE
8	P5070003	1	STRINGICAVO	CLIP	COLLIER	KABELHALTER
9	P00022057	1	CONTENITORE MOTORE	HOUSING	CAISSE	GEHÄUSE
10	---	---	VED. TAV. 4-5-6	SEE N° 4-5-6	VOIR N° 4-5-6	SIEHE NR. 4-5-6
11	1010026A1	2	VITE	BOLT	VIS	SCHRAUBE
12	2020050A1	2	GALLETTO	KNOB	ECROU	MUTTER
13	1020014A1	2	RONDELLA	WASHER	RONDELLE	SCHIBE
14	P2040011	MT 0,025	GOMMINO	RUBBER	CAOUTCHOUC	GUMMLEISTE
15	P3020011	1	MOLLA	SPRING	RESSORT	FEDER
16	P01027066	1	ASTINA	ROD	TIGE	STAB
17	P1060004	2	STARLOCK	STARLOCK	SECURITE	STARLOCK-SCHIBE
18	P2020092	1	PORTELLO	CHUTE DOOR	DEFLECTEUR	KLAPPE
19	P1010061	2	VITE	SCREW	VIS	SCHRAUBE
20	P2020089	1	COPRICINGHIA	BELT COVER	COUVERCLE COURROIE	KEILRIEMENABDECKUNG
21	P2020100	4	VITE x MOTORE	SCREW	VIS	SCHRAUBE
22	2020050A1	2	GALLETTO	KNOB	ECROU	MUTTER
23	P1020064	4	RIVETTI	RIVET	RIVET	NIET
24	P01032066	1	PIASTRA	PLATE	PLAQUE	BLECH
25	P3040087	2	BUSSOLA	BUSHING	DOUILLE	BÜCHSE
26	P2020077	1	POMELLO	KNOB	COUVERCLE	ABDECKUNG
27	P00046066	1	LEVA	LEVER	LEVIER	HEBEL
28	P02005066	1	SCOCCA	DECK	CHASSIS	GEHÄUSE
29	P02070257	2	STEGOLA INFERIORE	LOWER HANDLEBAR	GUIDON	LENKERUNTERTEIL
30	P1050011	2	DADO	NUT	ECROU	MUTTER
31	1020009A1	2	RONDELLA	WASHER	RONDELLE	SCHIBE
32	P1020054	4	RONDELLA	WASHER	RONDELLE	SCHIBE
33	P1010090	4	PERNO	BOLT	BOULON	BOLZEN
34	P3040086	2	PERNO	BOLT	BOULON	BOLZEN
35	P01030366	1	ASSALE ANTERIORE	FRONT AXLE	ARBRE AVANT	VORDERACHSE
36	P01032166	1	PIASTRA	PLATE	PLAQUE	BLECH
37	P2020105	1	BUSSOLA RIDUZIONE	BUSHING	DOUILLE	BÜCHSE
38	P3040102	1	BUSSOLA LAMA Ø 22,2	BUSHING Ø 22,2	DOUILLE Ø 22,2	BÜCHSE Ø 22,2
39	P4050020	1	LAMA	BLADE	COUTEUR	MESSER
41	P00067057	1	VITE LAMA	SCREW	VIS	SCHRAUBE
42	P2020062	2	COPRIMOZZO	WHEEL COVER	COUVERCLE	ABDECKUNG
43	1010018A1	2	VITE	SCREW	VIS	SCHRAUBE
44	1020007A1	2	RONDELLA	WASHER	RONDELLE	SCHIBE
45	P2020078	2	COPERTONE	TYRE	PNEU.	REIFEN
46	P2020079	2	CERCHIO	RIM	JANTE	FELGE
47	P3030013	4	CUSCINETTI	BEARING	PALIER	LAGER
48	P2020071	2	COPRIRUOTA	COVER	COUVERCLE	ABDECKUNG
49	P2020088	2	DISTANZIALE	SPALER	DOUILLE	DISTANZBÜCHSE
50	P1020050	2	RONDELLA ELASTICA	SPRING WASHER	RONDELLE	SCHIBE
51	P00015181	---	RUOTA COMPLETA	WHEEL ASSY	ROUE COMPL.	RAD KOMPL.
52	P5080005	---	CONDENSATORE 12 µF x 1100 W	CONDENSATOR 12 µF x 1100 W	CONDENSATEUR 12 µF x 1100 W	KONDENSATOR 12 µF x 1100 W
52	P5080006	---	CONDENSATORE 16 µF x 1300 W	CONDENSATOR 16 µF x 1300 W	CONDENSATEUR 16 µF x 1300 W	KONDENSATOR 16 µF x 1300 W
52	P5080007	---	CONDENSATORE 20 µF x 1500 W	CONDENSATOR 20 µF x 1500 W	CONDENSATEUR 20 µF x 1500 W	KONDENSATOR 20 µF x 1500 W
*	P00010066	---	CESTELLO COMPLETO	GRASSBAG ASSY	SAC. COMPL.	SACK KOMPL.

P1050015

Tav. 2

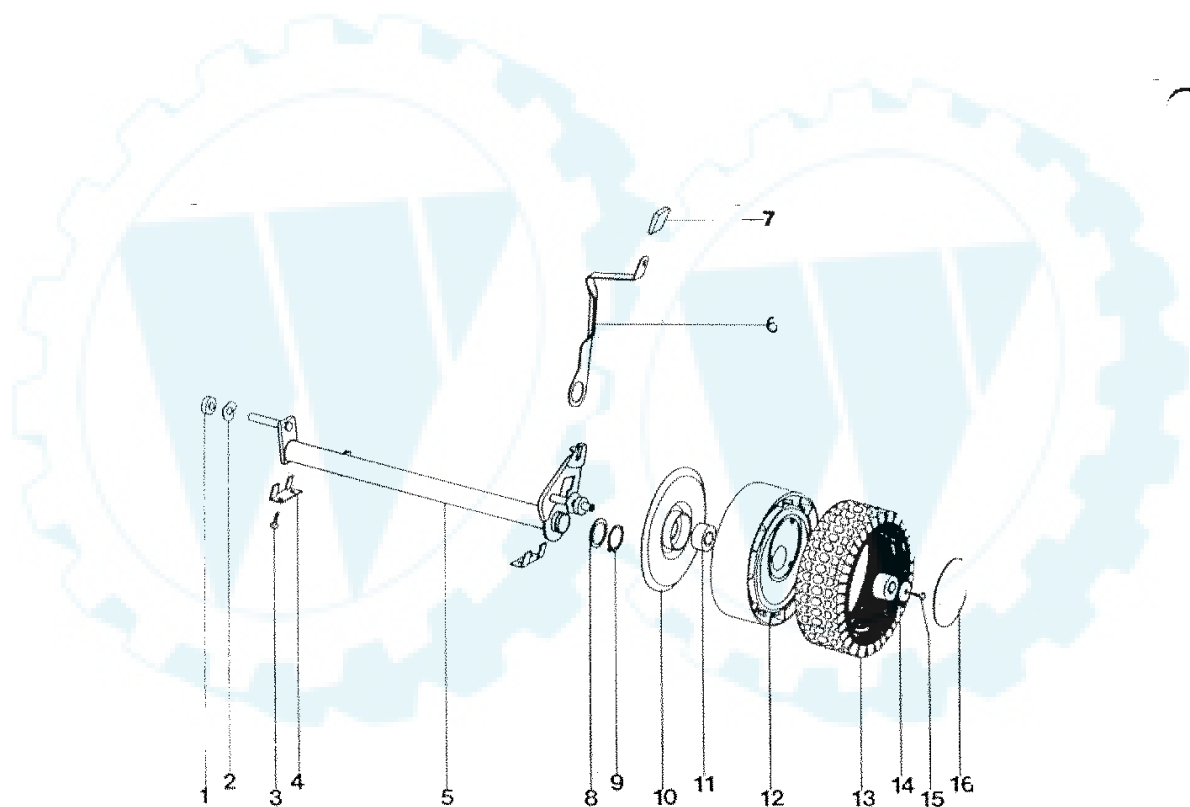
Vista assale posteriore e riduttore COUNTRY
Rear axle and gear box COUNTRY
Essieu arrière et transmission COUNTRY
Hinterachse und Getriebe COUNTRY



37 0000A1

Ref. N°	Part. N°	Qty.	Descrizione	Description	Description	Beschreibung
1	1070001A1	2	SEEGER	CIRCLIP	ANNEAU SEEGER	SEEGERRING
2	1020020A1	2	SPESSORE	SHIM WASHER	RONDELLE	AUSGLEICHSCHEIBE
3	P3050031	2	PIGNONE	PINION	PIGNON	RITZEL
4	P2020059	2	BUSSOLA	BUSHING	DOUILLE	BÜCHSE
5	P3020012	2	MOLLA	SPRING	RESSORT	FEDER
6	P2100001	2	CRICCHETTO	DRIVER	ENTRAÎNEUR	MITNEHMER
7	P2020060	2	COPRIPIGNONE	CAGE	CAGE	KÄFIG
8	P2110001	4	SALTERELLO	CAM	CLIQUET	NOCKEN
9	P1080004	2	SPINA	PIN	COUILLE	STIFT
10	P1050011	1	DADO	NUT	ECROU	MUTTER
11	1020008A1	1	RONDELLA	WASHER	RONDELLE	SCHIBE
12	P3040094	1	PERNO	BOLT	BOULON	BOLZEN
13	P3040063	1	PULEGGIA	PULLEY	POULIE	RIEMENSCHIBE
14	P3030014	1	CUSCINETTO	BEARING	PALIER	LAGER
15	P1060006	1	STARLOCK	STARLOCK	STARLOCK	SICHERUNGSSCHIBE
17	P3040048	1	PULEGGIA	PULLEY	POULIE	RIEMENSCHIBE
18	1010018A1	1	VITE	SCREW	VIS	SCHRAUBE
19	1020007A1	1	RONDELLA	WASHER	RONDELLE	SCHIBE
20	P3010013	1	CINGHIA	BELT	COURROIE	KEILRIEMEN
22	1050003A1	1	DADO	NUT	ECROU	MUTTER
23	P3170012	1	PARAOLIO	OIL SEAL	JOINT D'ARBRE	WELLENDICHRING
24	P1010075	1	VITE	SCREW	VIS	SCHRAUBE
25	P3040049	1	DISTANZIALE	SPACER	RONDELLE	DISTANZRING
26	P3170010	1	PARAOLIO	OIL SEAL	JOINT D'ARBRE	WELLENDICHRING
27	P3030010	1	CUSCINETTO	BEARING	POLIER	LAGER
28	P4070011	1	LEVA	LEVER	LEVIER	HEBEL
29	P3020010	1	MOLLA	SPRING	RESSORT	FEDER
30	P4030011	2	COPRIRUOTA	WHEEL COVER	PROTECTION	ABDECKUNG
31	P2020070	2	BUSSOLA	BUSHING	DOUILLE	BÜCHSE
32	P1010104	1	VITE 6x19	SCREW 6x19	VIS 6x19	SCHRAUBE 6x19
33	P4030010	1	COPERCHIO MOLLA	COVER	COUVERCLE	DECKEL
34	P1010076	1	VITE	SCREW	VIS	SCHRAUBE
35	P3040042	1	VITE SENZA FINE	WORM GEAR	VIS SANS FIN	SCHNECKE
36	P2020062	2	COPRIMOZZO	COVER	COUVERCLE	RADDECKEL
37	1010018A1	2	VITE	SCREW	VIS	SCHRAUBE
38	1020007A1	2	RONDELLA	WASHER	RONDELLE	SCHIBE
39	P2020078	2	COPERTONE	TYRE	PNEU	REIFEN
40	P2020081	2	CERCHIO	RIM	JANTE	FELGE
41	P3030013	4	CUSCINETTO	BEARING	PALIER	LAGER
42	P2020088	2	DISTANZIALE	SPACER	DOUILLE	DISTANZBÜCHSE
44	P3050030	1	BUSSOLA SCANALATA	BUSHING	DOUILLE CANNELEE	KEILHÜLSE
45	P00038099	1	INNESTO	SELECTOR COLLAR	MANCHON	SCHALTMUFFE
46	P00038199	1	CORONA	WORM WHEEL	ROUE P. VIS S. FIN	SCHNECKENRAD
47	P3170014	1	OR	O-RING	JOINT TORIQUE	O-RING
48	P4110001	1	COPERCHIO	COVER	COUVERCLE	DECKEL
49	P1010076	4	VITE	SCREW	VIS	SCHRAUBE
50	P1080007	1	SPINA ELASTICA	CLAMPING SLEEVE	COUILLE ELAST.	SPANNHÜLSE
51	1020020A1	2	SPESSORE	SPACER	RONDELLE	SCHIBE
60	P1070008	1	SEEGER	CIRCLIP	ANNEAU SEEGER	SEEGERRING
61	P1020058	1	DISTANZIALE	SPACER	DOUILLE	DISTANZBÜCHSE
62	P2020077	1	POMELLO PER LEVA	KNOB	POINGEE	ABDECKUNG
63	P00046166	1	LEVA POSTERIORE	LEVER	LEVIER	HEBEL
64	P01033266	2	PIASTRINA	PLATE	PLAQUE	BLECH
65	P1010090	4	VITE	SCREW	VIS	SCHRAUBE
70	P3040041	1	FORCELLA INNESTO	FORK	FOURCHE	GABEL
71	P1020054	1	RONDELLA	WASHER	RONDELLE	SCHIBE
72	P2040010	1	GOMMINO	SHOCKABSORBEN	SILENT BLOCK	SILENTBLOCK
73	P00039099	1	SCATOLA	GEAR BOX HOUSING	BOITE A ENGRENAGES	GETRIEBEKASTEN
74	P3170011	2	PARAOLIO	OIL SEAL	JOINT D'ARBRE	WELLENDICHRING
75	P3040093	1	ALBERO	SHAFT	ARBRE	ACHSE
76	P01030065	1	ASSALE POSTERIORE	REAR AXLE	ARBRE ARRIERE	ACHSE HINTEN
77	P3170013	1	OR	O-RING	JOINT TORIQUE	O-RING
79	P1070004	1	SEEGER	CIRCLIP	ANNEAU SEEGER	SEEGERRING
80	P1020051	2	SPESSORE	SHIM WASHER	RONDELLE	AUSGLEICHSCHEIBE
81	P1020053	1	SPESSORE	SHIM WASHER	RONDELLE	AUSGLEICHSCHEIBE
82	P00015281	1	RUOTA COMPLETA	WHEEL ASSY	ROUE COMPL.	RAD. KOMPL.
83	P1020050	2	RONDELLA ELASTICA	SPRING WASHER	RONDELLE ELASTIQUE	FEDERSCHIBE
*	P00078265	1	RIDUTTORE COMPLETO			

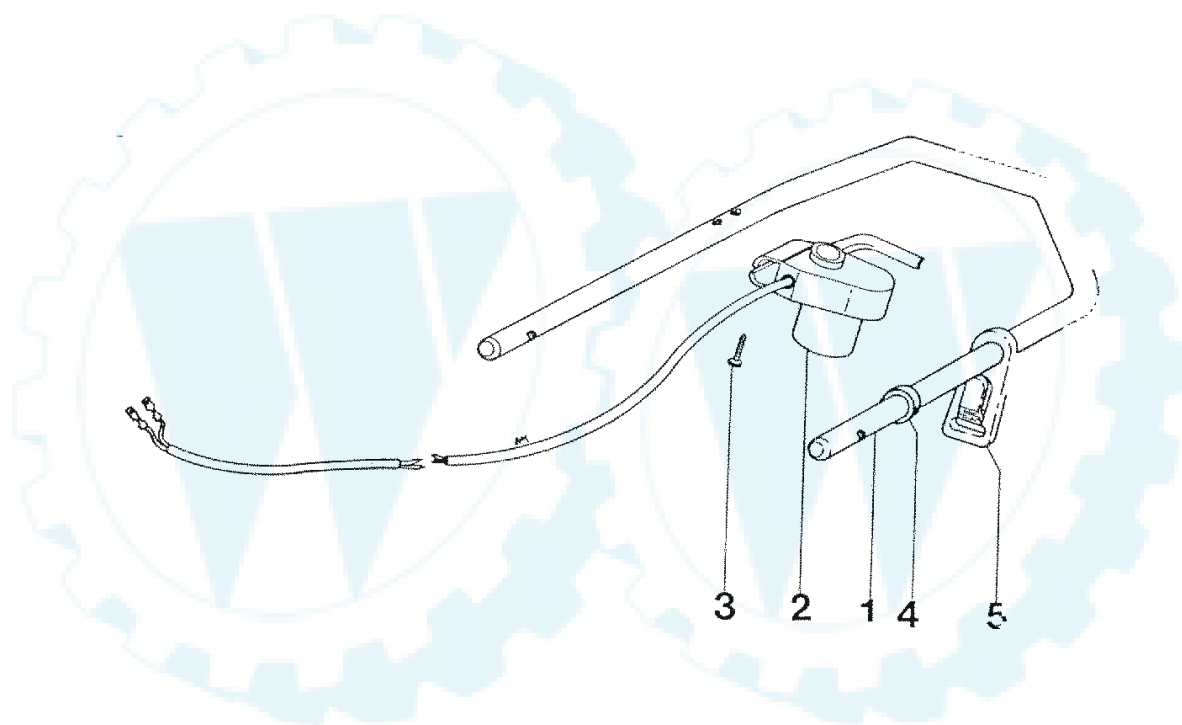
Ref. N°	Part. N°	Qty.	Descrizione	Description	Description	Beschreibung
1	P2020088	2	DISTANZIALE	SPACER	DOUILLE	DISTANZBÜCHSE
2	P1020050	2	RONDELLA ELASTICA	SPRING WASHER	RONDELLE ÉLASTIQUE	FEDERSCHEIBE
3	P1010090	4	VITE	SCREW	VIS	SCHRAUBE
4	P01033266	2	PIASTRINA	PLATE	PLAQUE	BLECH
5	P01030067	1	ASSALE POSTERIORE	REAR AXLE	ARBRE ARRIÈRE	ACHSE HINTEN
6	P00046166	1	LEVA POSTERIORE	LEVER	LEVIER	HEBEL
7	P2020077	1	POMELLO PER LEVA	KNOB	POIGNÉE	ABDECKUNG
8	P1020058	1	DISTANZIALE	SPACER	DOUILLE	DISTANZBÜCHSE
9	P1070008	1	SEEGER	CIRCLIP	ANNEAU SEEGER	SEEGER RING
10	P2020071	2	COPRIRUOTA	WHEEL COVER	PROTECTION	RADDECKEL
11	P3030013	4	CUSCINETTO	BEARING	PALIER	LAGER
12	P2020079	2	CERCHIO	RIM	JANTE	FELGE
13	P2020078	2	COPERTONE	TYRE	PNEU	REIFEN
14	102007A1	2	RONDELLA	SPACER	RONDELLE	SCHIBE
15	1010018A1	2	VITE	SCREW	VIS	SCHRAUBE
16	P2020062	2	COPRIMOZZO	COVER	COUVERCLE	RADDECKEL
*	P00015181	—	RUOTA COMPLETA	WHEEL ASSY	ROUE COMPL.	RAD KOMPL.



Tav. 3

Vista assale posteriore ENDURO
 Rear axle ENDURO
 Essieu arrière ENDURO
 Hinterachse ENDURO

Ref. N°	Part. N°	Qty.	Descrizione	Description	Description	Beschreibung
1	P02070162	1	STEGOLA SUPERIORE	UPPER HANDLE BAR	GUIDON	LENKER OBERTEIL
2	P5080004	1	INTERRUTTORE 1100 W	SWITCH 1100 W	BOUTON 1100 W	SCHALTER 1100 W
3	P1010106	2	VITE	SCREW	VIS	SCHRAUBE
4	P5040002	1	FASCETTA	CLIP	CLIP	HALTER
5	P2020102	1	TENDICAVO	CABLE RETAINER CLIP	FIXER CABLE	ZUGENTLASTUNG



Tav. 4

Vista stegola superiore e comandi ENDURO 1100 W

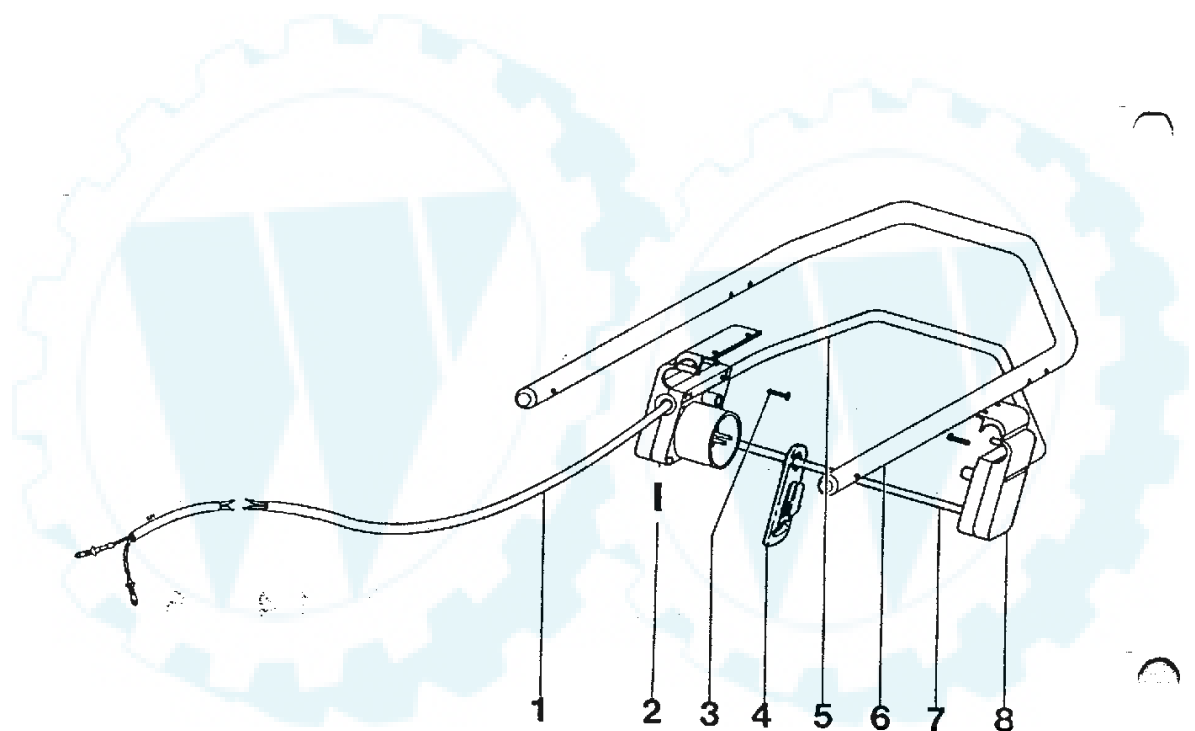
Upper handle and controls ENDURO 1100 W

Mancheron partie supérieure et éléments de commande ENDURO 1100 W

Lenkeroberteil und Bedienungselemente ENDURO 1100 W

Ihr Ersatzteilspezialist im Internet

Ref. N°	Part. N°	Qty.	Descrizione	Description	Description	Beschreibung
1	P5080003	1	INTERRUTTORE 1500 W	SWITCH 1500 W	BOUTON 1500 W	SCHALTER 1500 W
1	P5080002	1	INTERRUTTORE 1300 W	SWITCH 1300 W	BOUTON 1300 W	SCHALTER 1300 W
2	P1080008	2	SPINA ELASTICA	BOLT	BONDON	BOLZEN
3	P1010107	4	VITE	SCREW	VIS	SCHRAUBE
4	P2020102	1	TENDICAVO	CABLE RETAINER CLIP	FIXE-CABLE	ZUGENTLASTUNG
5	P02043164	1	LEVA INTERRUTTORE	LEVER	LEVIER	HEBER
6	P02070164	1	STEGOLA SUPERIORE	UPPER HANDLE BAR	GUIDON	LENKERBERTEIL
7	P01027157	1	ASTINA	ROD	TIGE	STAB
8	P5080009	1	SUPPORTO	HOUSING	BOITE	GEHAUSE



Tav. 5

Vista stegola superiore e comandi ENDURO 1300 W - 1500 W

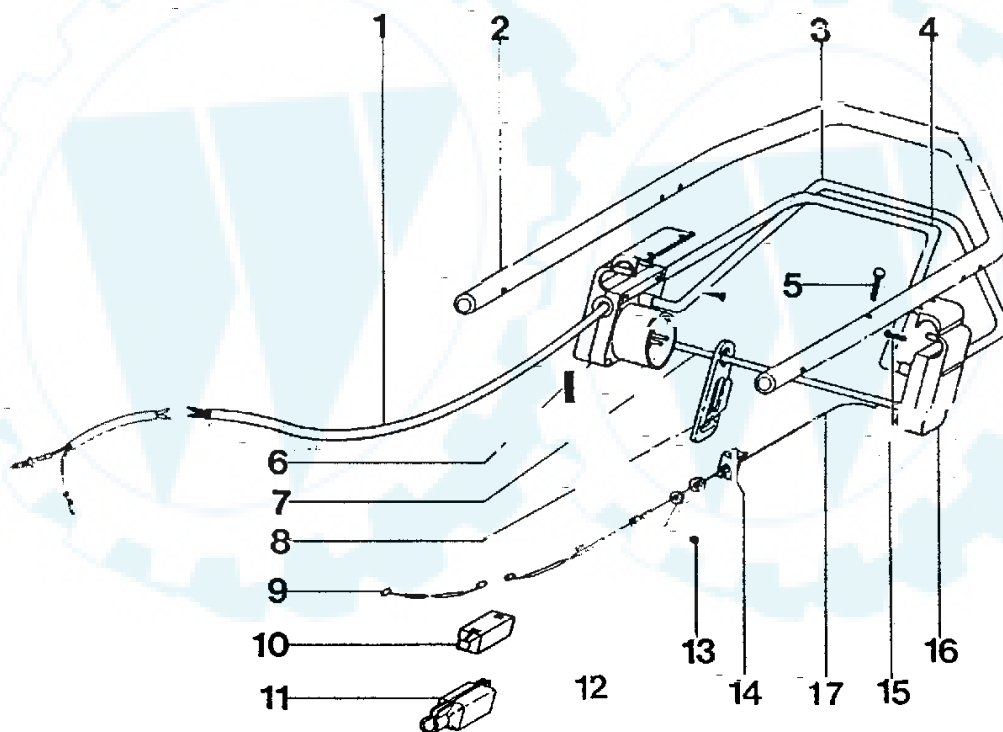
Upper handle and control ENDURO 1300 W - 1500 W

Mancheron partie supérieur et éléments de commande ENDURO 1300 W - 1500 W

Lenkeroberteil und Bedienungselemente ENDURO 1300 W - 1500 W

Ihr Ersatzteilspezialist im Internet

Ref. N°	Part. N°	Qty.	Descrizione	Description	Description	Beschreibung
1	P5080003	1	INTERRUTTORE 1500 W	SWITCH 1500 W	BOUTON 1500 W	SCHALTER 1500 W
2	P02070163	1	STEGOLA SUPERIORE	UPPER HANDLE BAR	GUIDON	LENKEROBERTEIL
3	P02042063	1	MANIGLIA TRAZIONE	TRACTION LEVER	LEVIER TRACTION	FAHRANTRIEBSHEBEL
4	P02041963	1	MANIGLIA INTERRUTTORE	LEVER SWITCH	LEVIER BOUTON	EINSCHALTHEBEL
5	P1010078	1	VITE	SCREW	VIS	SCHRAUBE
6	P1080008	2	SPINA ELASTICA	BOLT	BONDON	BOLZEN
7	P01027157	1	ASTINA	ROD	TIGE	STAB
8	P2020102	1	TENOICAVO	CABLE RETAINER	FIXE-CABLE	ZUGENTLASTUNG
9	P5010016	1	CAVO TRAZIONE	TRACTION CABLE CLIP	CABLE TRACTION	KABEL FEHRANTRIEB
10	P2020116	1	GIUNTO	JOINT	CONNECTION	VERBINDUNG
11	P2020115	1	ISOLATORE	INSULATING JOINT	ISOLATEUR	ISOLATOR
12	P5010017	1	CAVO TRAZIONE	TRACTION CABLE	CABLE TRACTION	KABEL FAHRANTRIEB
13	1050003A1	1	DADO	NUT	ECROU	MUTTER
14	P4010060	1	PIASTRINA	PLATE	PLAQUE	BLECH
15	P1010107	4	VITE	SCREW	VIS	SCHRAUBE
16	P5080009	1	SUPPORTO	HOUSING	BOÎTE	GEHÄUSE
17	P5010018	1	CAVO IN NYLON	CABLE	CABLE	KABEL



Tav. 6

Vista stegola superiore e comandi COUNTRY

Upper handle and controls COUNTRY

Mancheron partie supérieur et éléments de commande COUNTRY

Lenkeroberteil und Bedienungselemente COUNTRY

Tav. 1

Vista generale ENDURO-COUNTRY
Complete machine ENDURO-COUNTRY
Vue d'ensemble ENDURO-COUNTRY
Gesamtansicht ENDURO-COUNTRY

